

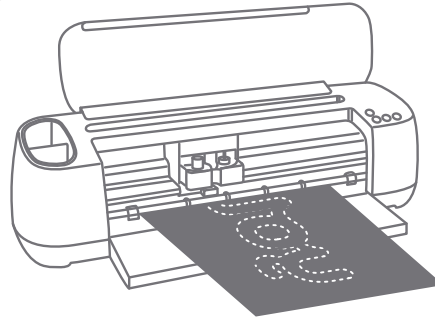
1

Mirror your image  
or artwork



2

Cut your image using a contour/plotter cutter or for more simple  
designs you can use scissors



**CRICUT GUIDELINES\***

SETTING **Standard Iron On**  
BLADE **Standard**  
PRESSURE **Default**

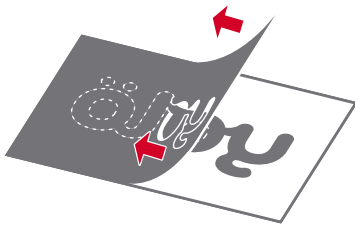
**SILHOUETTE**  
BLADE SETTING\* **3**

SPEED **8** FORCE **6**

\*Adjust as necessary. Use a cutting mat (carrier sheet) and cut through the film layer only. Test cuts are recommended.

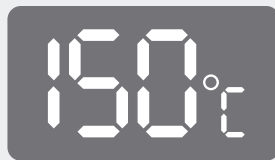
3

Weed away excessive  
material (a weeding tool  
may help)



4

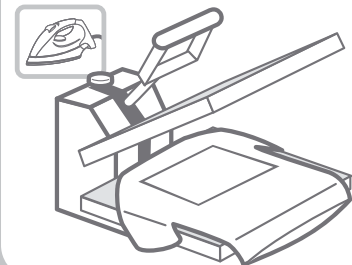
Prepare the heat press at  
**150°C / 305°F.**  
If using an iron, set dial between  
Cotton and Linen



5

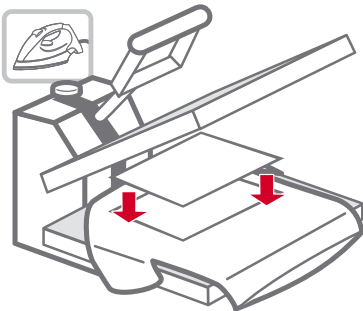
Place image face down  
on substrate.

If using an iron, place on flat,  
hard surface (ironing board  
not recommended)



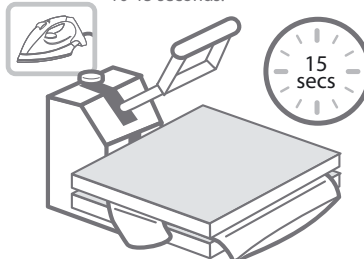
6

Cover with a Teflon or  
silicone sheet



7

Apply **medium** pressure  
for **15 seconds.**  
If using iron, press with medium/  
firm pressure (do not slide iron).  
Press each section of design for  
10-15 seconds.



8



**Hot  
or Cold  
Peel\***

24hrs  
before  
washing

\*If areas of design lift after application, replace cover sheet and re-press for 5-10 seconds

**wash and care instructions**



Machine wash  
separately



Dry on cotton  
cycle



Do not bleach, dry clean  
or directly iron image

**contact**

✉ hello@yolo.co.uk

☎ +44 (0) 2082 400 658

♥ www.yolo.co.uk

Product code: **EZW**

! Store in a cool, dry place and seal the packaging between uses