

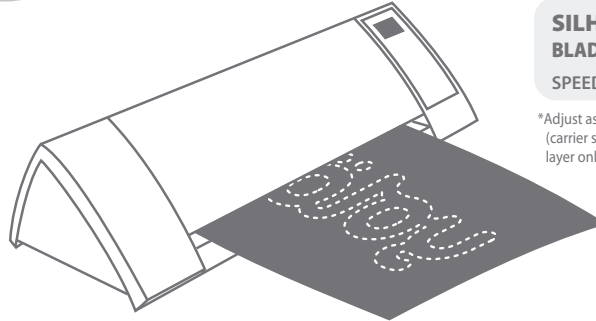
1

Mirror your image or artwork



2

Cut your image using a contour/plotter cutter, ensuring the blade cuts through the film only and not the release liner

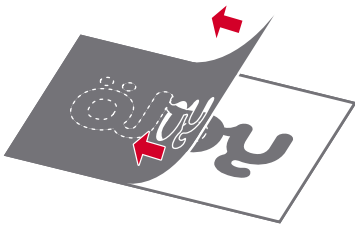


SILHOUETTE
BLADE SETTING* 2
SPEED 8 FORCE 4

*Adjust as necessary. Use a cutting mat (carrier sheet) and cut through the film layer only

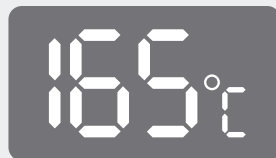
3

Weed away the unwanted film, leaving the image on the release liner (a weeding tool may help)



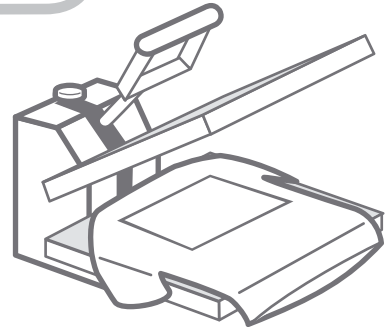
4

Prepare the heat press at 165°C / 330°F



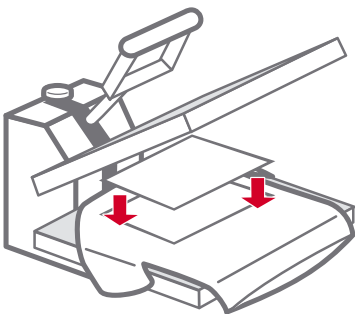
5

Place image face down on substrate



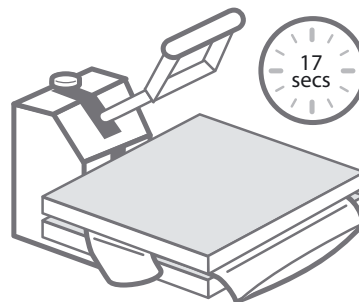
6

Cover with a Teflon or silicone sheet



7

Apply **medium/high** pressure for **17 seconds**



8



Peel when cold

24hrs before washing

wash and care instructions



leave
24hrs



Machine wash
separately



Dry at low heat
setting



Do not bleach or
directly iron image

contact

hello@yolo.co.uk

+44 (0) 2082 400 658

www.yolo.co.uk

Product code: FF

Store in a cool, dry place and seal the packaging between uses