

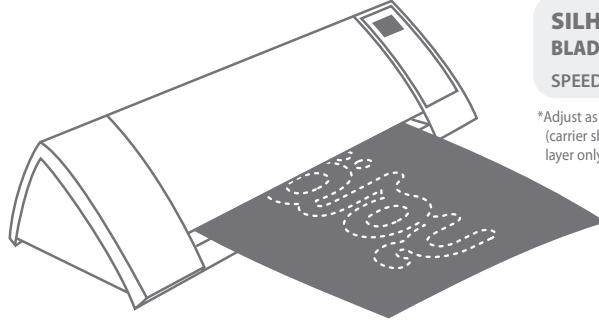
1

Mirror your image or artwork



2

Cut your image using a contour/plotter cutter, ensuring the blade cuts through the film only and not the release liner

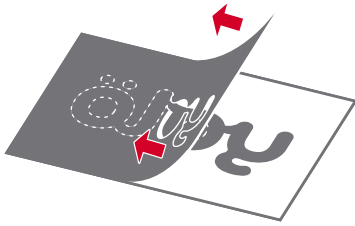


**SILHOUETTE**  
**BLADE SETTING\*** 2  
**SPEED 3** **THICKNESS 15**

\*Adjust as necessary. Use a cutting mat (carrier sheet) and cut through the film layer only

3

Weed away the unwanted film, leaving the image on the release liner (a weeding tool may help)



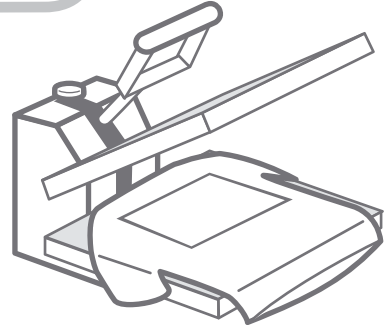
4

Prepare the heat press at 165°C / 330°F



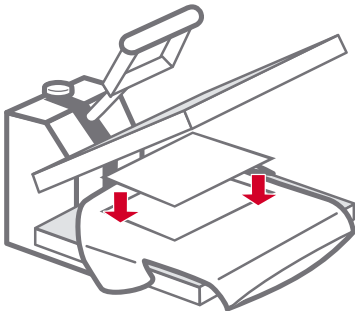
5

Place image face down on substrate



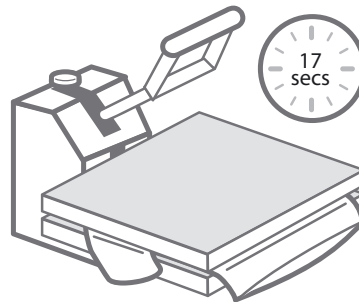
6

Cover with a Teflon or silicone sheet



7

Apply **medium** pressure for **17 seconds**



8



Peel when warm\*

24hrs before washing

\*After approximately 10 seconds

wash and care instructions



Machine wash separately



Dry at low heat setting



Do not bleach or directly iron image

contact

hello@yolo.co.uk

+44 (0) 2082 400 658

www.yolo.co.uk



Store in a cool, dry place and seal the packaging between uses

Product code: FVEL