

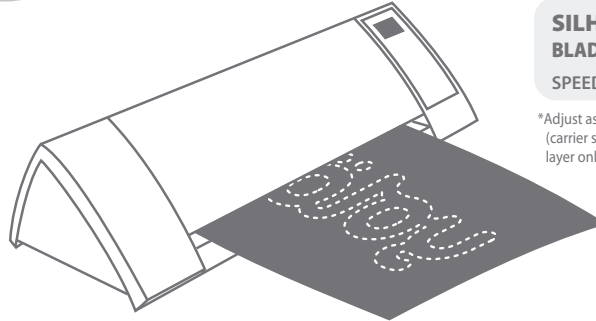
1

Mirror your image  
or artwork



2

Cut your image using a contour/plotter cutter, ensuring the blade  
cuts through the film only and not the release liner

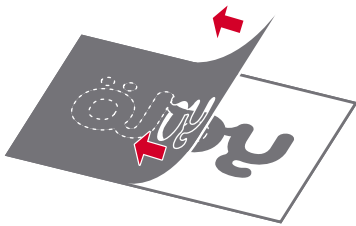


**SILHOUETTE**  
**BLADE SETTING\*** 2  
**SPEED 8** **THICKNESS 4**

\*Adjust as necessary. Use a cutting mat  
(carrier sheet) and cut through the film  
layer only

3

Weed away the unwanted  
film, leaving the image on  
the release liner  
(a weeding tool may help)



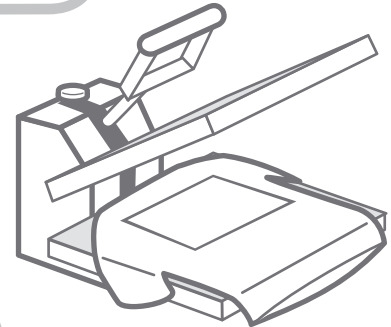
4

Prepare the heat press at  
**165°C / 330°F**



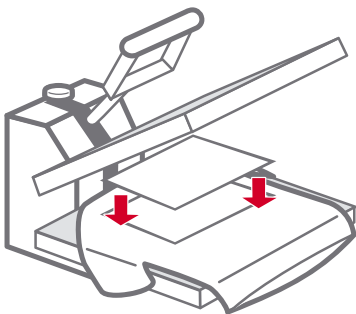
5

Place image face down  
on substrate



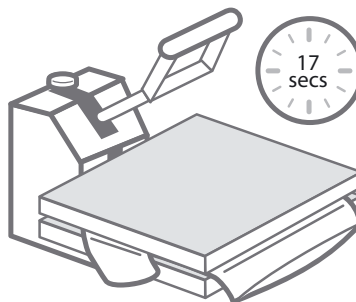
6

Cover with a Teflon or  
silicone sheet



7

Apply **medium** pressure  
for **17 seconds**



8



Peel  
when  
warm\*

24hrs  
before  
washing

\*After approximately 10 seconds.

## wash and care instructions



leave  
24hrs



Machine wash  
separately



Dry at low heat  
setting



Do not bleach or  
directly iron image

## contact

✉ hello@yolo.co.uk

☎ +44 (0) 2082 400 658

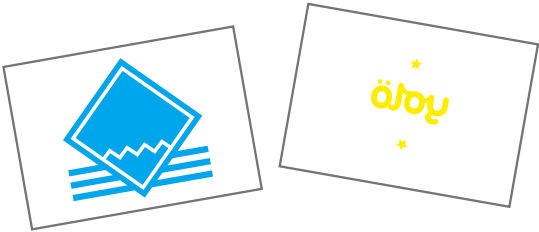
♥ www.yolo.co.uk

Product code: **ATOM**

! Store in a cool, dry place and seal the packaging between uses

1

Mirror your image or artwork and cut each colour using a contour/plotter cutter, ensuring the blade cuts through the film only and not the release liner. Weed away the unwanted film, leaving the image on the release liner (a weeding tool may help).



SILHOUETTE  
BLADE SETTING\* 2  
SPEED 8 THICKNESS 4

\*Adjust as necessary. Use a cutting mat (carrier sheet) and cut through the film layer only

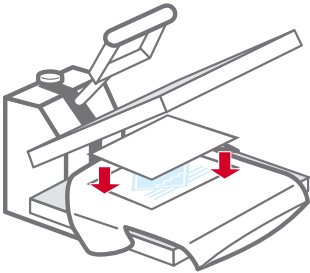
2

Prepare the heat press at **165°C / 330°F**



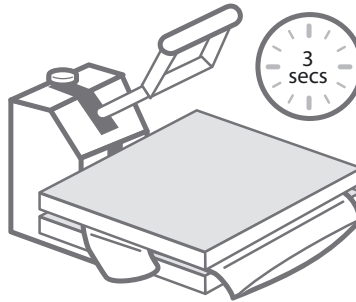
3

Place first colour (bottom layer) face down on substrate and cover with a Teflon or silicone sheet



4

Apply **medium** pressure for **3 seconds**



5

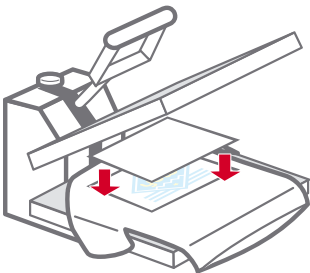


Peel when warm\*

\*After approximately 10 seconds

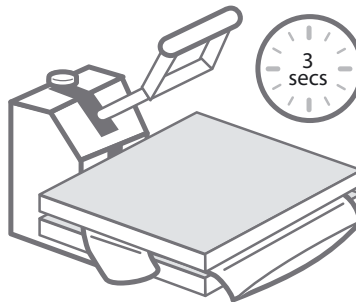
6

Place next colour (top layer) face down on substrate and cover with a Teflon or silicone sheet



7

Apply **medium** pressure for **3 seconds**



8

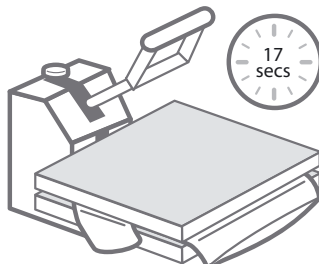


Peel when warm\*

\*After approximately 10 seconds

9

Cover your finished design with a Teflon or silicone sheet and apply **medium** pressure for **17 seconds**



10



Peel when cold

**yolo tip**

If you have more than two layers for your design, repeat Steps 6 - 8 before proceeding to Step 9.