

1

Prepare your image or artwork.
Print and cut your image using **solvent** or **eco-solvent** inks only (a TTRH profile is recommended)



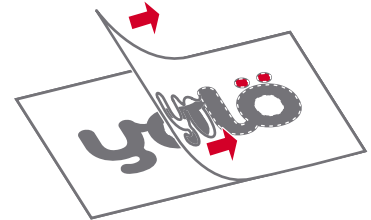
2

Leave the image for up to 6 hours to allow the ink to dry (time is dependent on ink and ambient conditions)



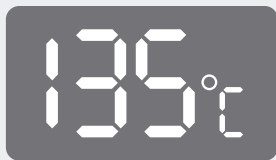
3

Weed away the unwanted film (a weeding tool may help)



4

Prepare the heat press at **135°C / 275°F**



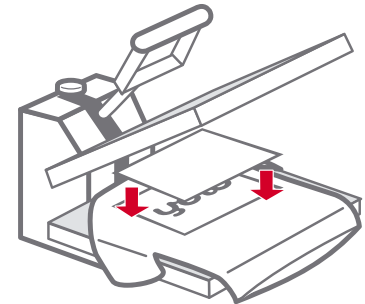
5

Using application tape/mask, place image face up on substrate



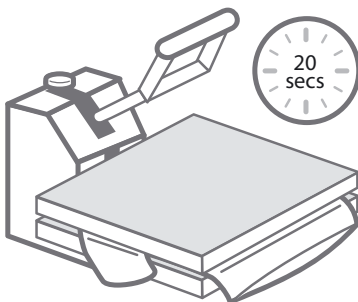
6

Cover with a Teflon or silicone sheet



7

Apply **medium** to **heavy** pressure for **20 seconds**



8



Peel when warm*

24hrs before washing

*After approximately 10 seconds

yolo tip

Repress for 5-7 seconds with a Teflon or silicone sheet to increase durability and achieve greater washing-fastness

wash and care instructions



Machine wash separately



Dry at low heat setting



Do not bleach or directly iron image

contact

hello@yolo.co.uk

+44 (0) 2082 400 658

www.yolo.co.uk

Product code: **ESGR**

! Store in a cool, dry place and seal the packaging between uses

Printed on 100% recycled paper