

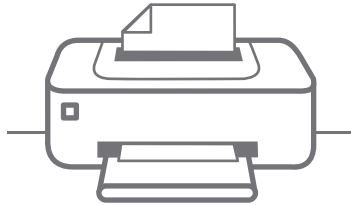
1

Mirror your image or artwork



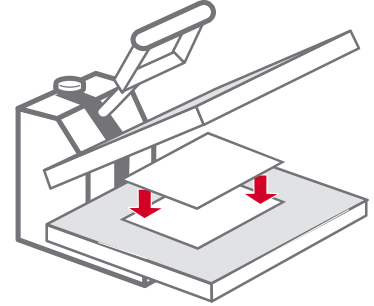
2

Print your image onto sublimation paper using sublimation inks



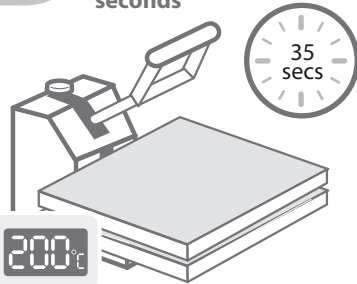
3

Place the printed image face down on top of the FiberPlus



4

Press at 200°C / 400°F with low pressure for 35 seconds*



*Use the settings for the sublimation paper you are using

5

Trim around or contour cut the image
Note: This film has a white film background



SILHOUETTE BLADE SETTING* 3
SPEED 3 FORCE 25

*Adjust as necessary. Use a cutting mat (carrier sheet) and cut through the film layer only

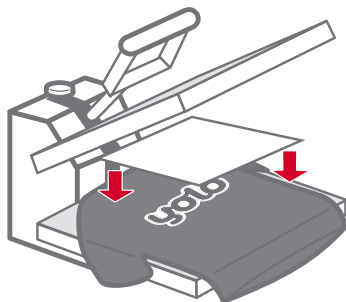
6

Peel off backing paper



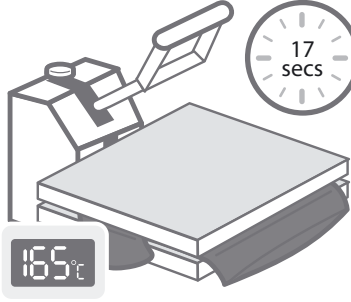
7

Place image face up on substrate and cover with a PTFE or silicone sheet



8

Press at 165°C / 330°F with low to medium pressure for 17 seconds



9



Peel when cold

24hrs before washing

wash and care instructions



Machine wash separately



Dry at low heat setting



Do not dry clean, bleach or directly iron transfer

contact

hello@yolo.co.uk

+44 (0) 2082 400 658

www.yolo.co.uk

Product code: FIBP



Store in a cool, dry place and seal the packaging between uses