

○ FlexCut sticky

○ FlexCut sticky **GITD**

○ FlexCut sweet

○ FlexCut sticky **NightClub**

Garment Film Heat Press Cotton + Poly

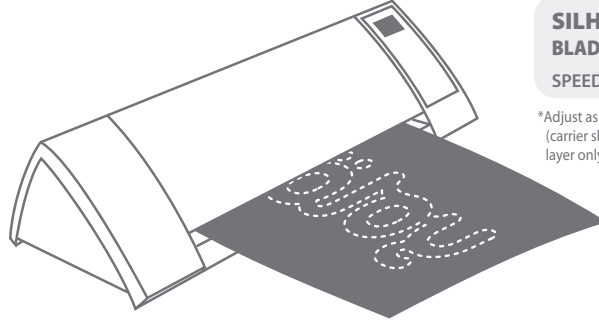
1

Mirror your image or artwork



2

Cut your image using a contour/plotter cutter, ensuring the blade cuts through the film only and not the release liner

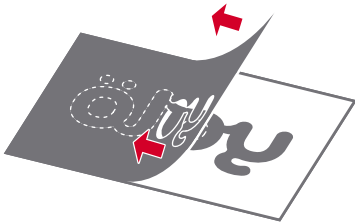


SILHOUETTE
BLADE SETTING* **2**
SPEED 8 FORCE 4

*Adjust as necessary. Use a cutting mat (carrier sheet) and cut through the film layer only

3

Weed away the unwanted film, leaving the image on the release liner (a weeding tool may help)



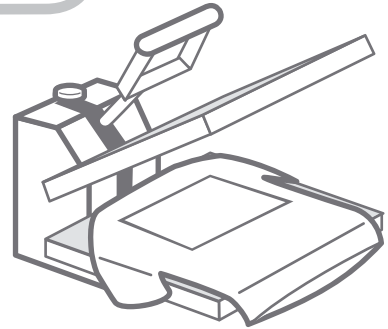
4

Prepare the heat press at **165°C / 330°F**



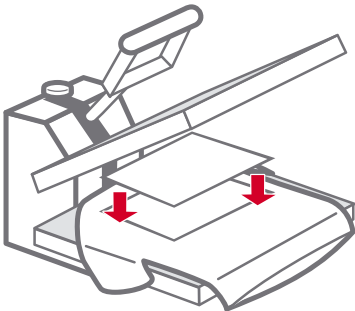
5

Place image face down on substrate



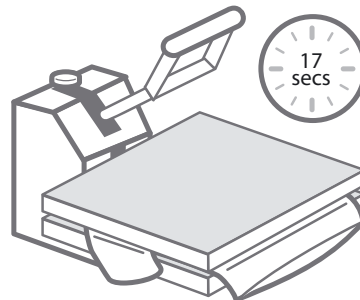
6

Cover with a Teflon or silicone sheet



7

Apply **medium** pressure for **17 seconds**



8



Peel when warm*

24hrs before washing

*After approximately 10 seconds for standard colours and 20-30 seconds for metallic colours

wash and care instructions



Machine wash separately



Dry at low heat setting



Do not bleach or directly iron image

contact

✉ hello@yolo.co.uk

☎ +44 (0) 2082 400 658

♥ www.yolo.co.uk

Product code: **FSTC**

FSGD (GITD)

FSNI (NightClub)

FSWC (Sweet)



Store in a cool, dry place and seal the packaging between uses